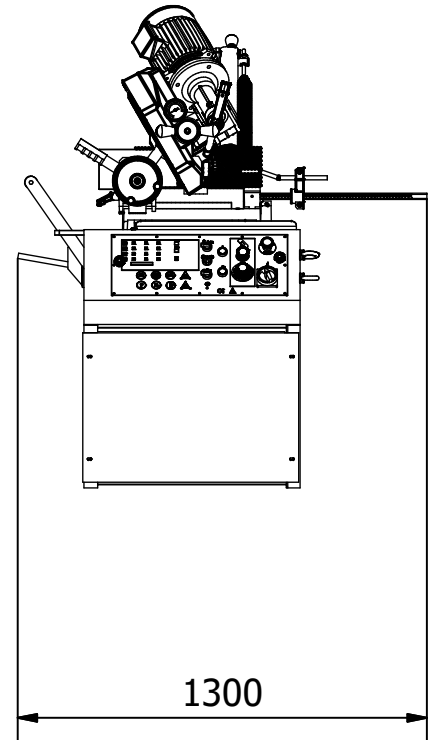
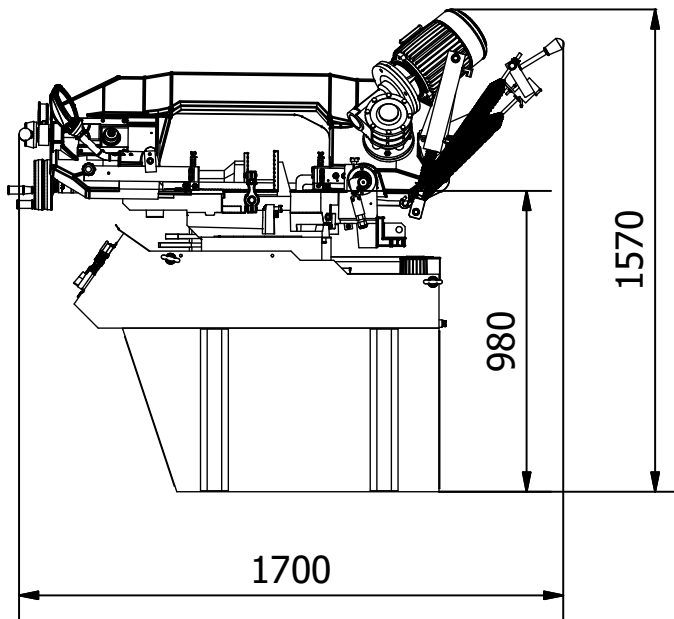





**EGGENBERG**  
INDUSTRIAL TOOLS

# BANDZAAGMACHINE METAAL



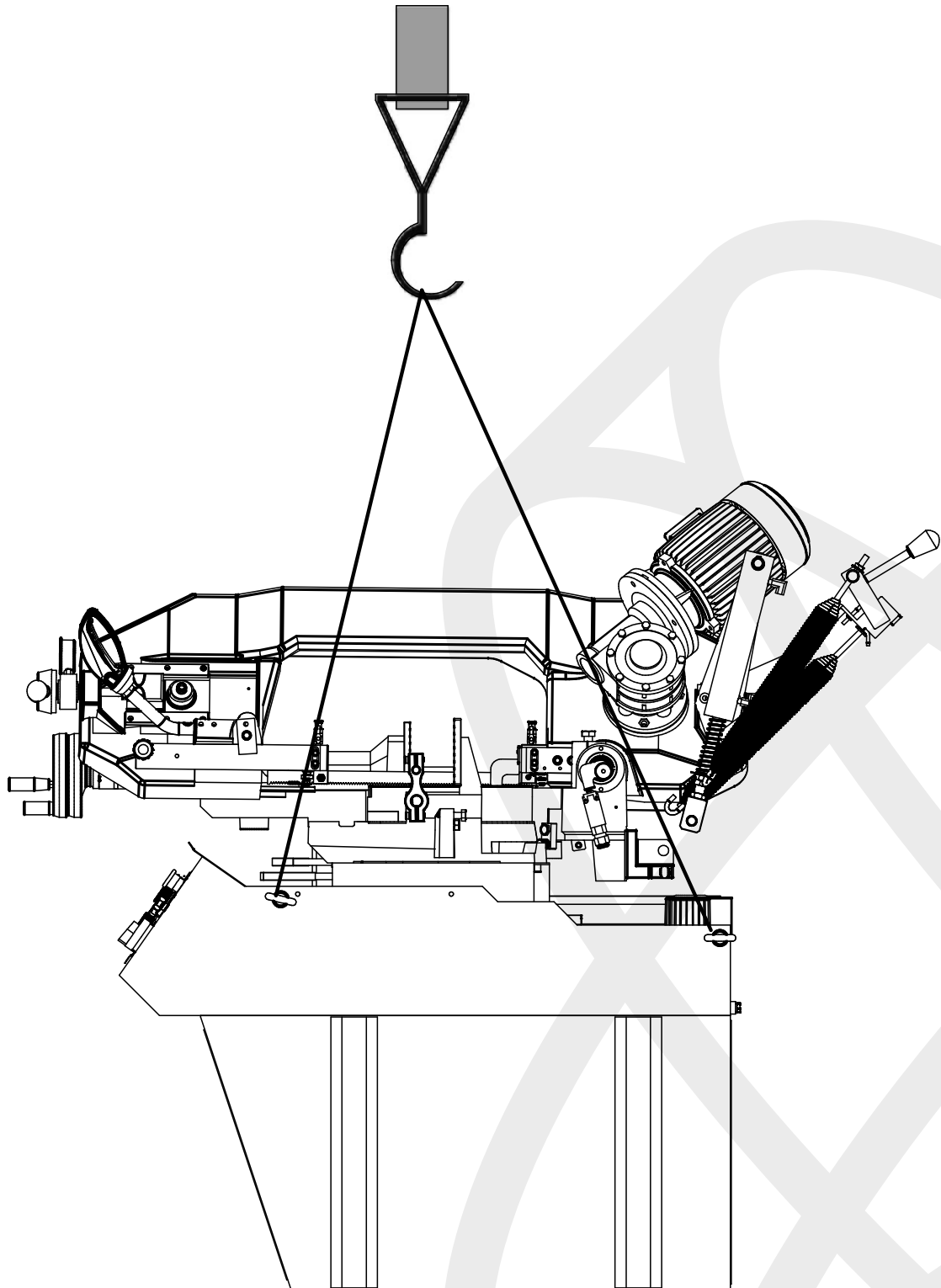
**EBS2750**  
**MANUAL**



|             |  |  |  |
|-------------|---|---|---|
| <b>0°</b>   | <b>255</b>  | <b>255</b>  | <b>H160*310</b>   |
| <b>45°</b>  | <b>185</b>  | <b>180</b>  | <b>H230*170</b>   |
| <b>60°</b>  | <b>115</b>  | <b>115</b>  | <b>H160*115</b>   |
| <b>-45°</b> | <b>180</b>  | <b>170</b>  | <b>H220*140</b>   |

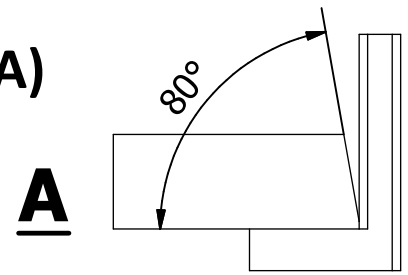
| <b>TECHNICAL DATA</b>   |                           |
|-------------------------|---------------------------|
| MOTOR                   | 1.5 KW                    |
| COOL PUMP MOTOR         | 0.1 KW                    |
| CUTTING SPEED           | 35 / 70 (MPM)             |
| CUTTING SPEED(INVERTER) | 20~80 (MPM)               |
| BLADE DIMENSIONS        | 2750*27*0.9 (MM)          |
| WORKING TABLE HIGHT     | 980 (MM)                  |
| N.W / G.W               | 385 /430(KG)              |
| MEASUREMENTS / CUF      | 173CM*73CM*110CM (50 CUF) |

# LOAD SUSPENSION

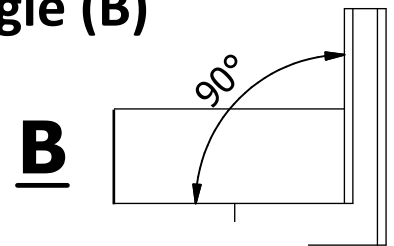


# TROUBLE SHOOTING

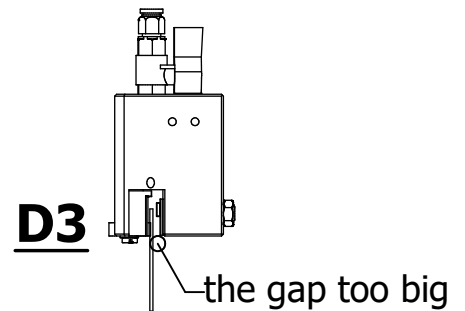
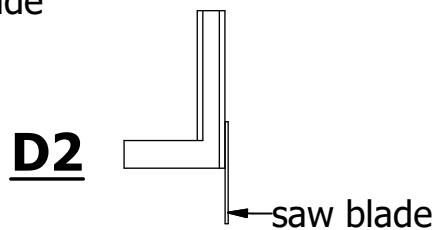
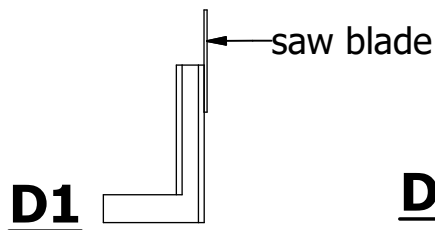
**P:** When the blade is not in a 90° angle (A)



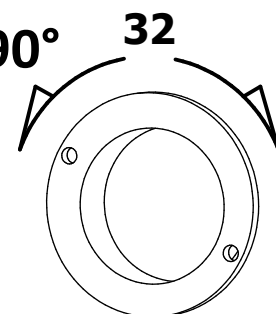
**S:** Replace your saw, so it makes a 90° angle (B)



**S:** Inspect the blade guide plate if it is in a 90° (D1,D2,D3)

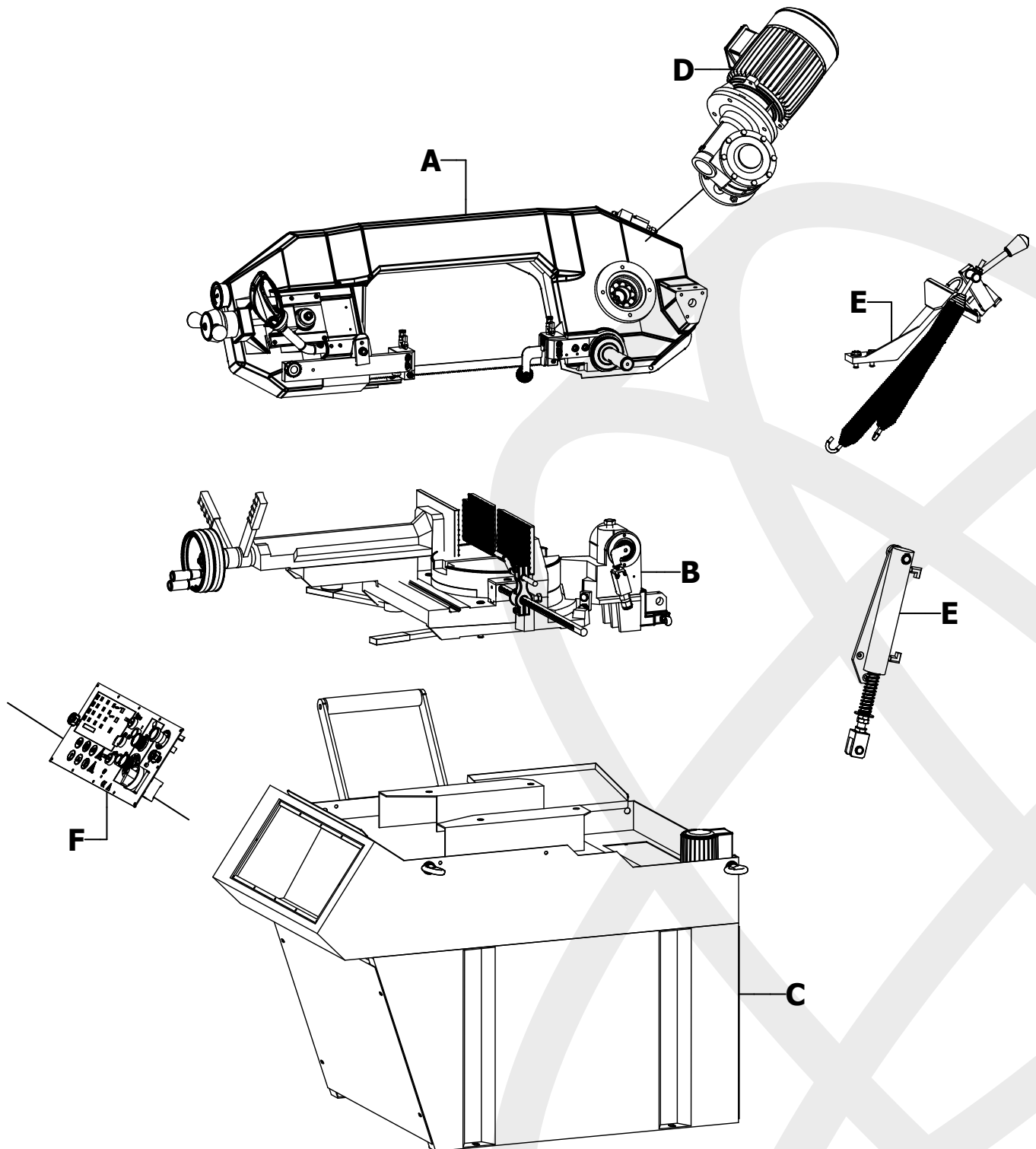


**S:** Use #32 to adjust the blade and set it 90°

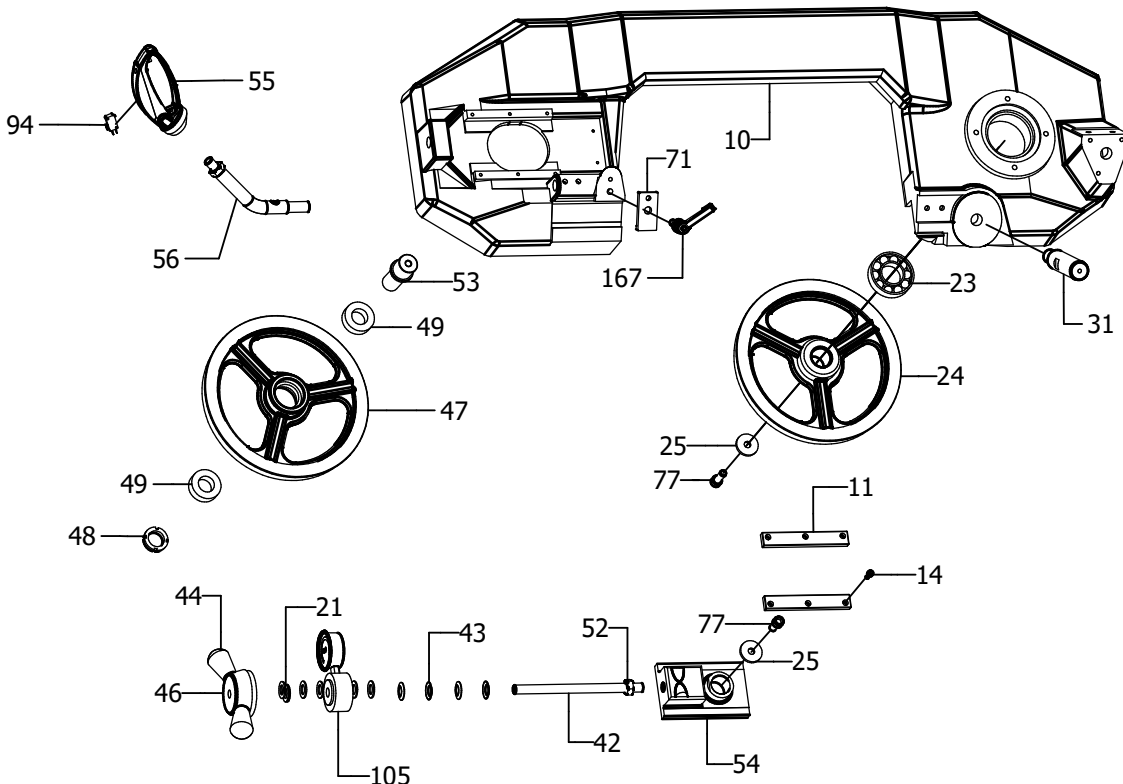
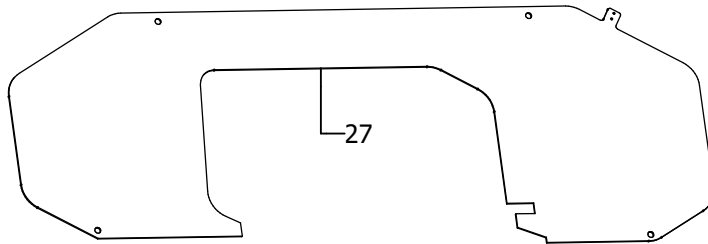
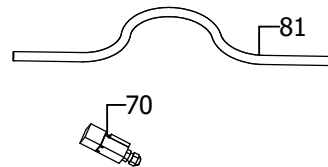
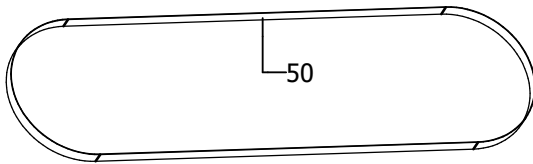
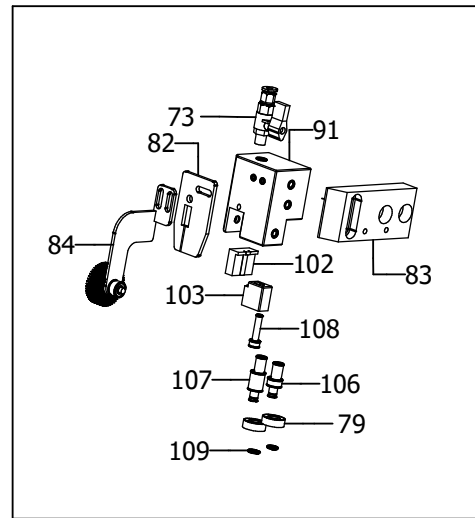
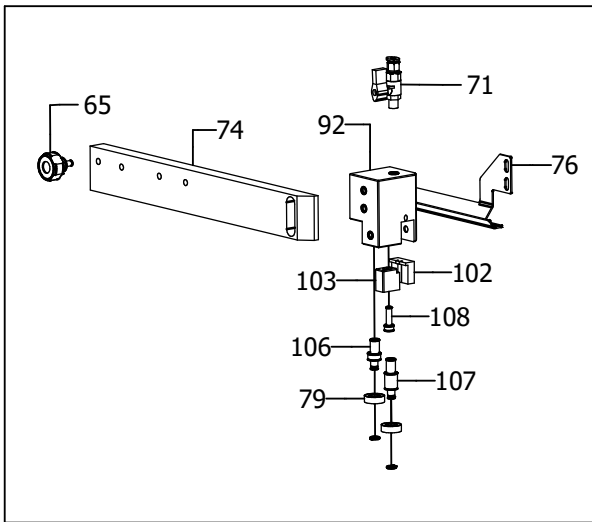


**90° adjusting saw blade**

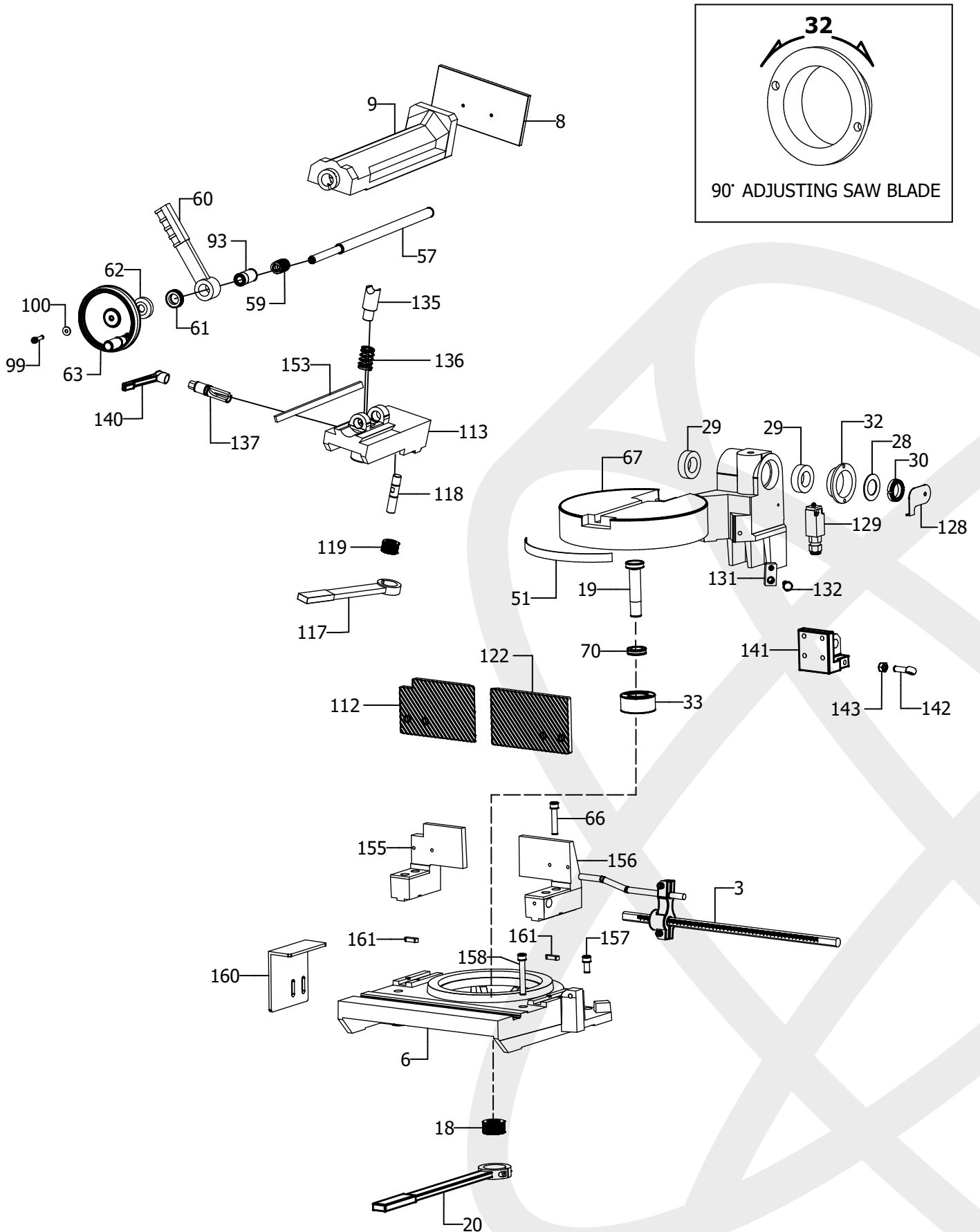
# EXPLODED



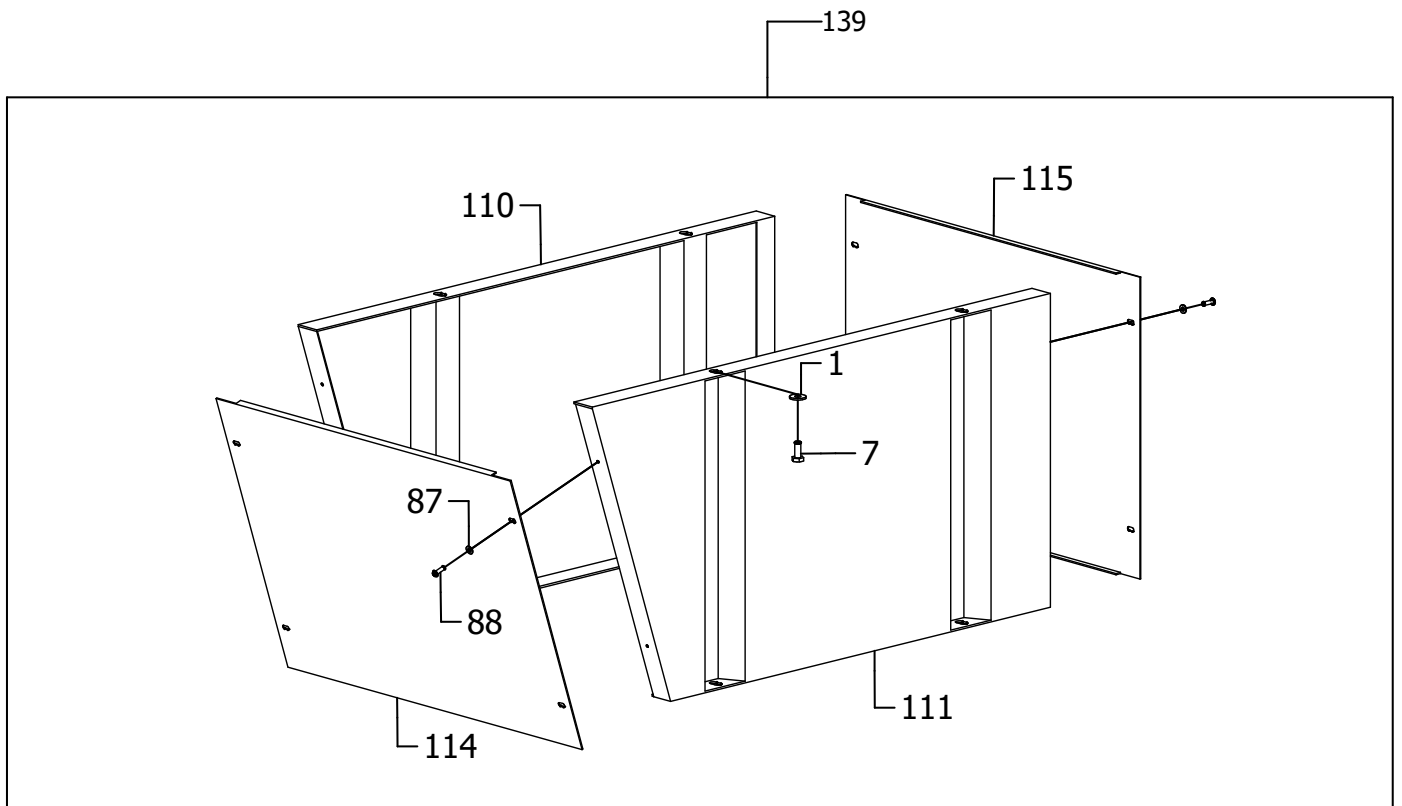
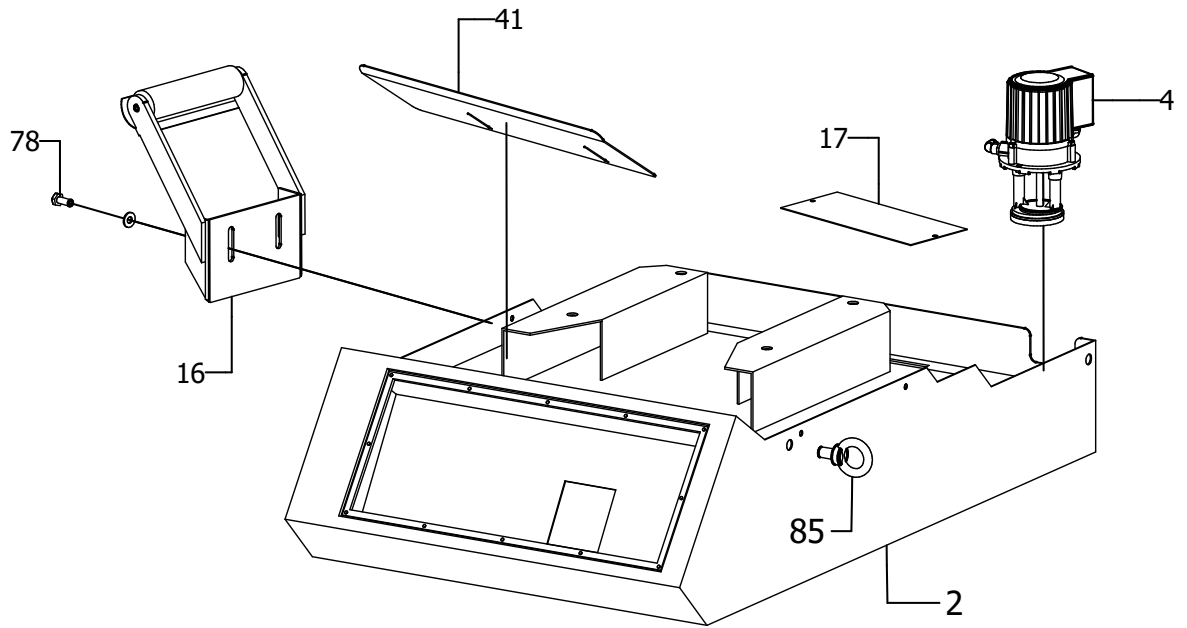
# EXPLODED: A



# EXPLODED: B

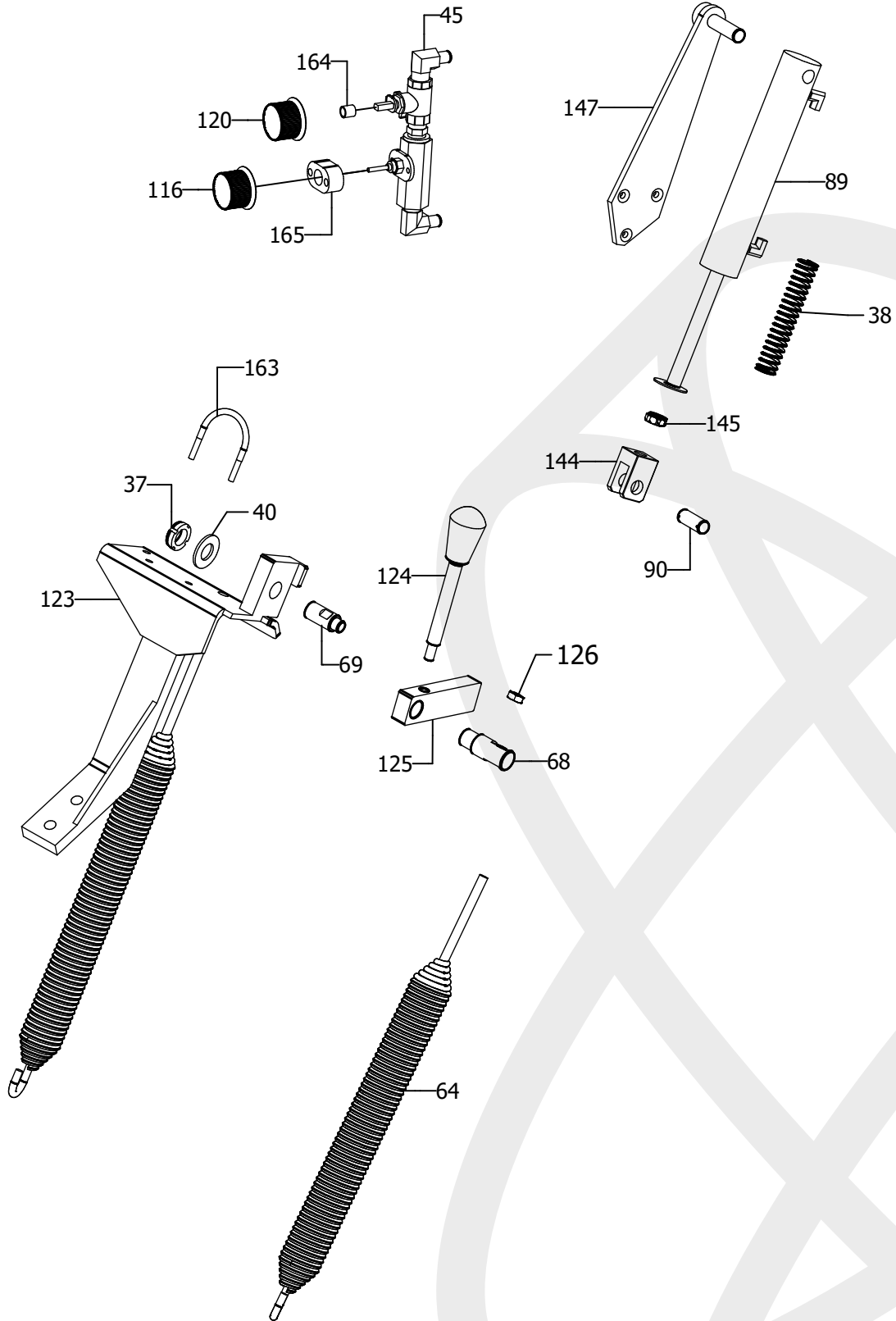


# EXPLODED: C

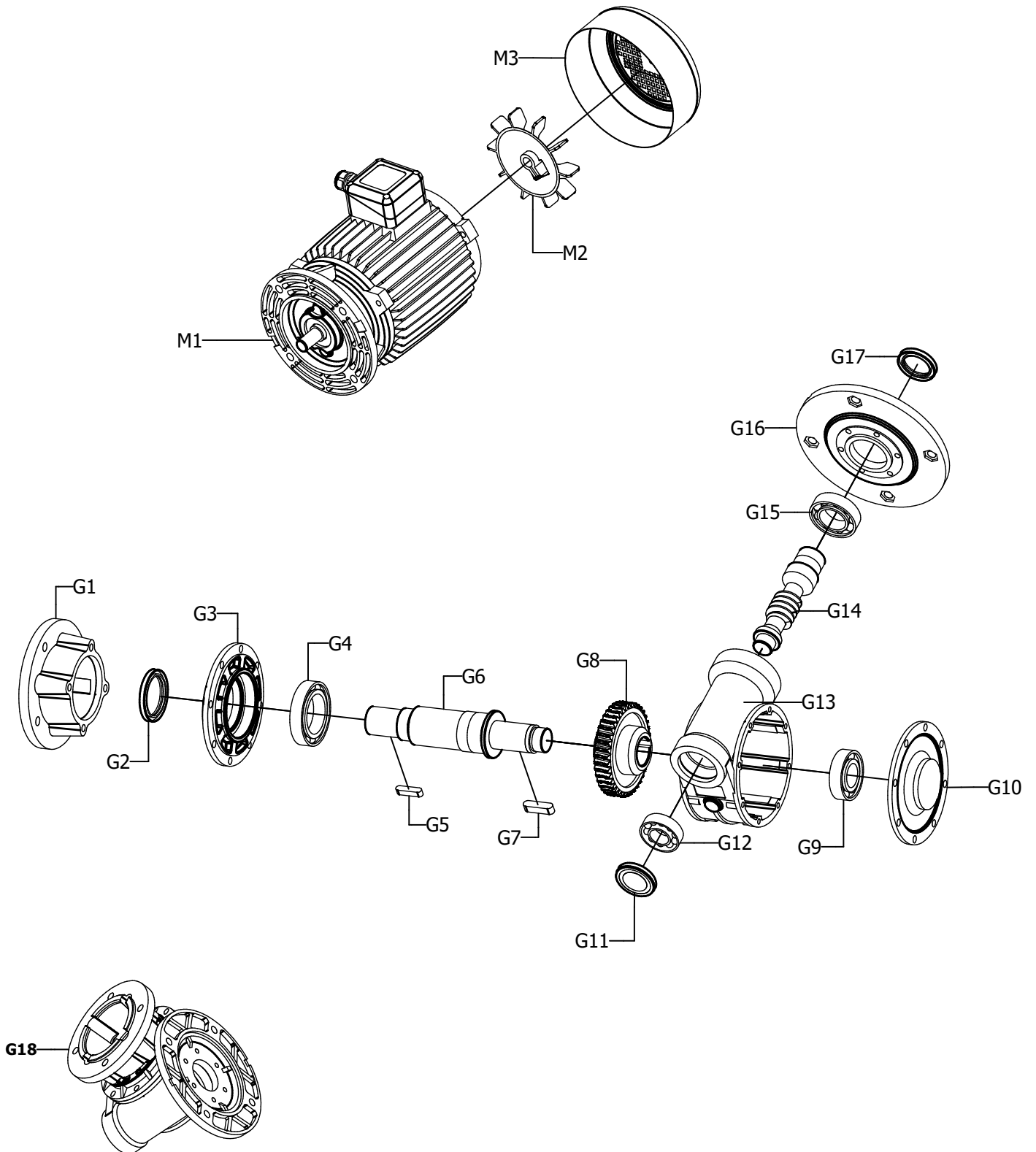




# EXPLODED: D



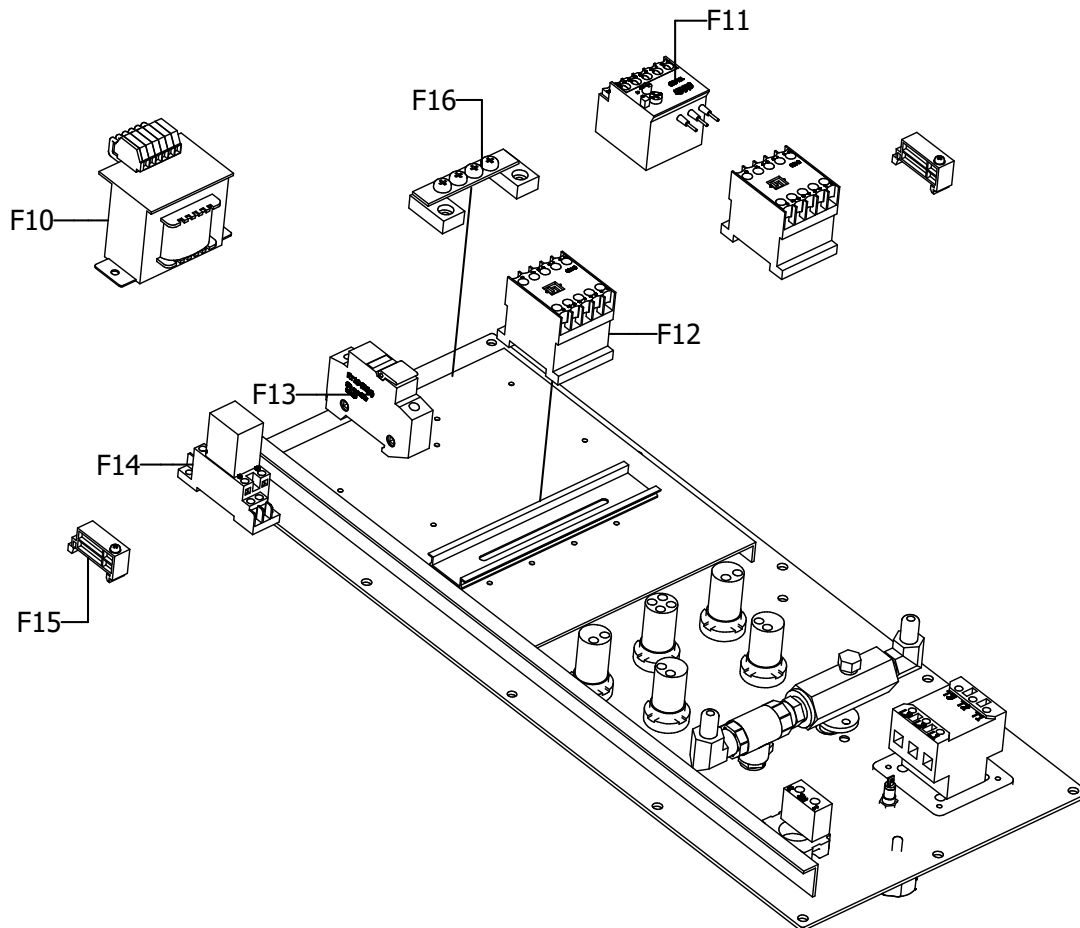
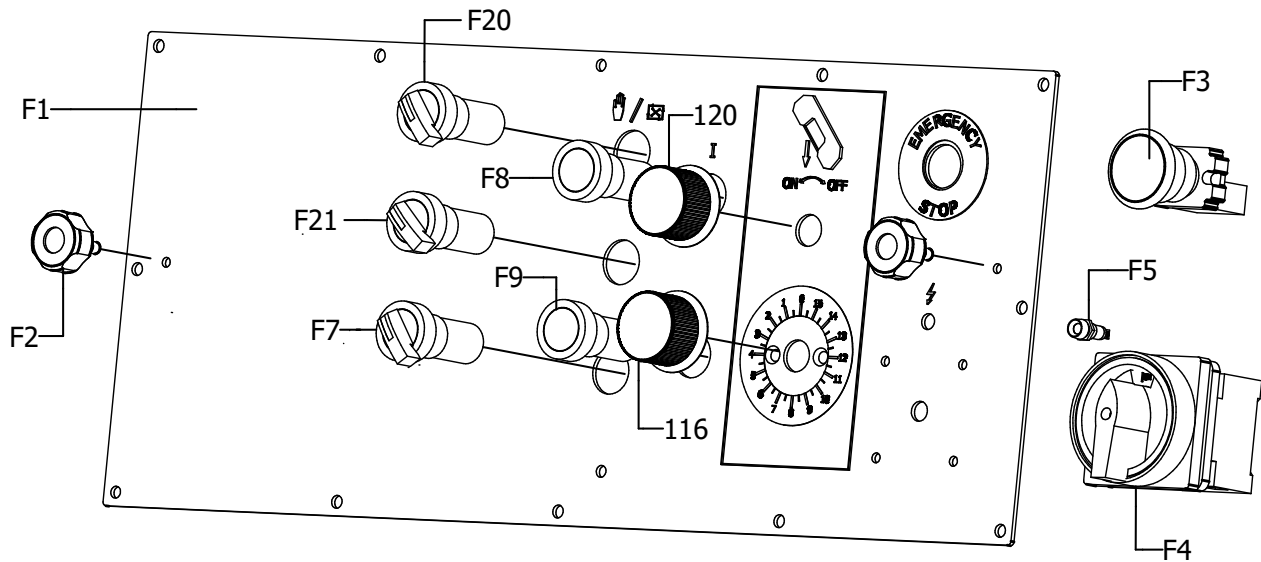
# EXPLODED: E



## EBS2750 LISTS

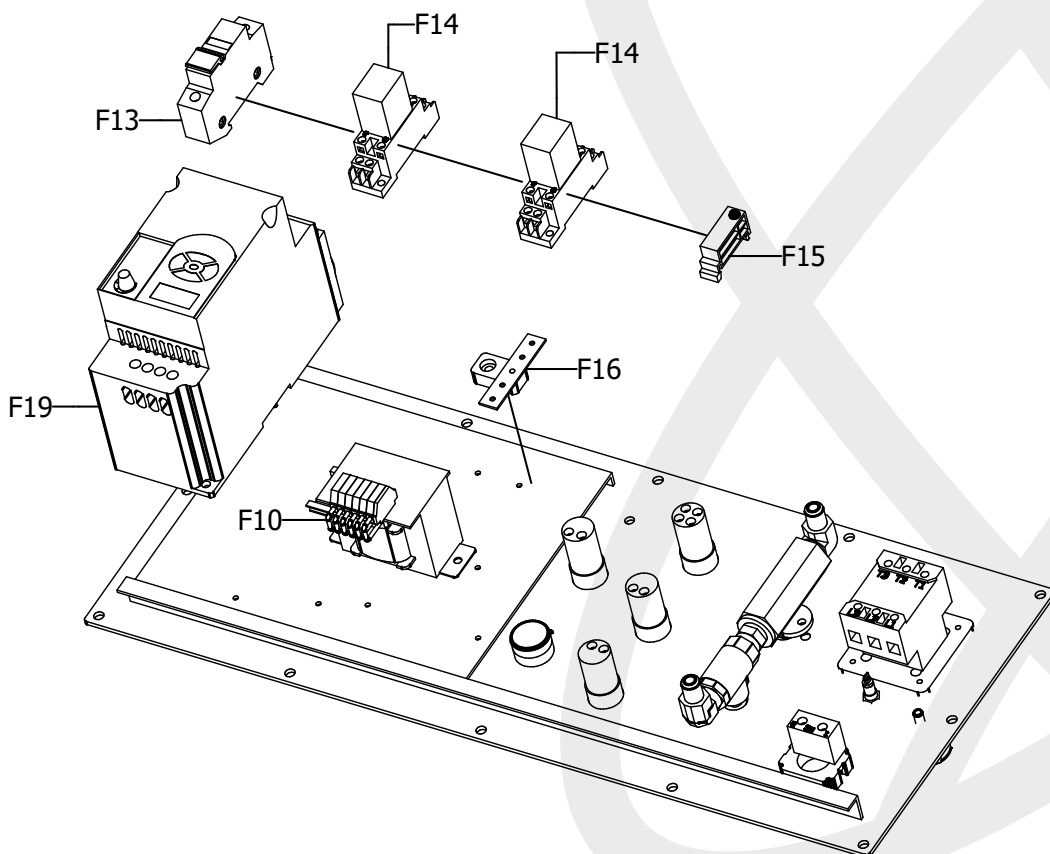
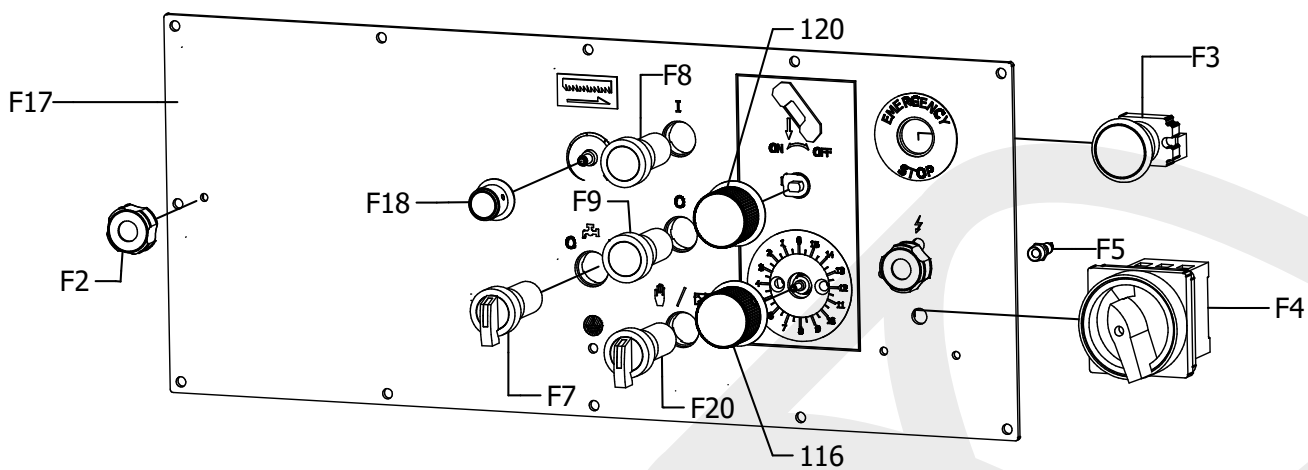
| NO | NAME                | Q'TY | NO  | NAME                    | Q'TY | NO  | NAME              | Q'TY |
|----|---------------------|------|-----|-------------------------|------|-----|-------------------|------|
| 1  | WASHER              | 4    | 68  | SHAFT                   | 1    | 140 | GRIP              | 1    |
| 2  | BASE                | 1    | 69  | STOP BOLT               | 1    | 141 | CYLINDER SEAT     | 1    |
| 3  | BAR STOP ROD        | 1    | 70  | BEARING 51105           | 1    | 142 | SCREW M12         | 1    |
| 4  | COOL PUMP           | 1    | 71  | BLOCK                   | 1    | 143 | NUT M12           | 1    |
| 6  | WISE BASE           | 1    | 73  | VELVE                   | 2    | 144 | Γ SEAT            | 1    |
| 7  | SCREW               | 4    | 74  | ARM                     | 1    | 145 | NUT               | 3    |
| 8  | WISE JAW            | 1    | 75  | BOLT                    | 1    | 147 | BRACKET           | 1    |
| 9  | WISE                | 1    | 76  | BLADE GUARD             | 1    | 151 | GASKET            | 1    |
| 10 | BODY FRAME          | 1    | 77  | SCREW                   | 2    | 153 | KEY               | 1    |
| 11 | TRACKING PLATE      | 2    | 78  | SCREW M10               | 2    | 155 | WISE SEAT -L      | 1    |
| 12 | MOTOR FUN           | 1    | 79  | BEARING 608             | 4    | 156 | WISE SEAT -R      | 1    |
| 13 | MOTOR COVER         | 1    | 80  |                         |      | 157 | SCREW M12         | 1    |
| 15 | SCREW M12           | 1    | 81  | WATER PIPE              | 1    | 158 | SCREW M12         | 1    |
| 16 | ROLLERWAY           | 1    | 82  | RUST PLATE              | 1    | 160 | L-PLATE           | 1    |
| 17 | FILTER              | 1    | 83  | WISE PAD                | 1    | 161 | KEY 10*10*35      | 2    |
| 18 | NUT M24             | 1    | 84  | BUSH                    | 1    | 163 | U-SCREW           | 1    |
| 19 | PIN                 | 1    | 85  | FLYING RING             | 4    | 164 | BUSH              | 1    |
| 20 | LEVER               | 1    | 87  | WASHER φ 6              | 8    | 165 | GASKET            | 1    |
| 22 | KEY(8*8*35)         | 1    | 88  | SCREW M6                | 8    | 167 | HANDLE            | 1    |
| 23 | BEARING 6208        | 1    | 89  | HYDRAULIC CYLINDER      | 1    | M1  | MOTOR             | 1    |
| 24 | MOTOR FLYWHEEL      | 1    | 90  | PIN                     | 1    | M2  | MOTOR FUN         | 1    |
| 25 | WASHER φ 12         | 1    | 91  | FIXED BLADEGUIDE PLATE  | 1    | M3  | MOTOR COVER       | 1    |
| 26 | SHAFT               | 1    | 92  | MOBILE BLADEGUIDE PLATE | 1    | G1  | FRONT FLANGE      | 1    |
| 27 | BLADE COVER         | 1    | 93  | BUSH                    | 1    | G2  | OIL SEAL(50*65*8) | 1    |
| 28 | WASHER              | 1    | 94  | TOGER SWITCH            | 1    | G3  | FLANGE            | 1    |
| 29 | BEARING 32007       | 2    | 96  | COOLANT DISTRIBUTOR     | 1    | G4  | BEARING 6010      | 1    |
| 30 | NUT M30             | 1    | 97  | STAND                   | 1    | G5  | KEY(8*8*35)       | 1    |
| 31 | PIVOT               | 1    | 99  | SCREW M8*40             | 1    | G6  | GEAR SKAFT        | 1    |
| 32 | BEARING COVER       | 1    | 100 | WASHERφ 8               | 1    | G7  | KEY(10*10*40)     | 1    |
| 33 | FIXED SEAT          | 1    | 101 | WATER PLATE             | 1    | G8  | TRANSMISSION REAR | 1    |
| 34 | KEY (10*10*40)      | 1    | 102 | BLADEGUIDE UNIT SQUARE  | 2    | G9  | BEARING 6206      | 1    |
| 35 |                     |      | 103 | BLADEGUIDE UNIT         | 2    | G10 | COVER             | 1    |
| 36 | MOTOR               | 1    | 105 | BLADE TENSION GAUGE     | 1    | G11 | OIL SEAL(52*7)    | 1    |
| 37 | SCREW M20           | 1    | 106 | GUIDE PIVOT(S)          | 2    | G12 | BEARING 6205      | 1    |
| 38 | SPRING              | 1    | 107 | GUIDE PIVOT(L)          | 2    | G13 | GEAR BOX          | 1    |
| 40 | WASHER φ 20         | 1    | 108 | SCREW M6*20             | 2    | G14 | WORM GEAR         | 1    |
| 41 | WATER PLATE         | 1    | 109 | C-RING                  | 4    | G15 | BEARING 6007      | 1    |
| 42 | SCREW M16           | 1    | 110 | STEND(L)                | 1    | G16 | FLANGE            | 1    |
| 43 | SPRING WASHER       | 4    | 111 | STEND(R)                | 1    | G17 | OIL SEAL(35*50*7) | 1    |
| 44 | GRIP                | 2    | 112 | WISE JAW ( L )          | 1    | G18 | GEAR BOX          | 1    |
| 45 | HYDRAULIC CYLINDER  | 1    | 113 | WISE SLIDING SEAT       | 1    | F1  | FACE PLATE        | 1    |
| 46 | HANDWHEEL           | 1    | 114 | STEND(FRONT)            | 1    | F2  | HANDLE WHEEL      | 1    |
| 47 | RETURN FLYWHEEL     | 1    | 115 | STEND(REAR)             | 1    | F3  | EMERGENCY STOP    | 1    |
| 48 | NUT M30             | 1    | 116 | ADJUSTING BUTTON        | 1    | F4  | CAM SWITCH        | 1    |
| 49 | BEARING(32006)      | 2    | 117 | HANDLE                  | 1    | F5  | LAMP              | 1    |
| 50 | SAW BLADE           | 1    | 118 | BOLT                    | 1    | F6  | H/L SWITCH        | 1    |
| 51 | SCALE               | 1    | 119 | NUT M20                 | 1    | F7  | PUMP SWITCH       | 1    |
| 52 | NUT M16             | 1    | 120 | ON-OFF OIL SWITCH       | 1    | F8  | ON-SWITCH         | 1    |
| 53 | BLADE SHEEL SHAFT   | 1    | 122 | WISE JAW ( R )          | 1    | F9  | OFF-SWITCH        | 1    |
| 54 | BLOCK BLADE TENSION | 1    | 123 | BRACKET                 | 1    | F10 | TRANSFORMER       | 1    |
| 55 | HANDLE              | 1    | 124 | HANDLE                  | 1    | F11 | OVER RELAY        | 1    |
| 56 | LEVER               | 1    | 125 | SQUARE                  | 1    | F12 | CONTACT           | 1    |
| 57 | WISE SCREW          | 1    | 126 | NUT M10                 | 2    | F13 | FUSE              | 1    |
| 58 | R-BLADEGUARD        | 1    | 128 | CUT/OFF PLATE           | 1    | F14 | RELAY             | 1    |
| 59 | WISE SPRING         | 1    | 129 | MICRO SWITCH            | 1    | F15 | FIXER             | 1    |
| 60 | WISE LEVER          | 1    | 131 | WISE JAW BLOCK          | 1    | F16 | PE-PLATE          | 1    |
| 61 | BEARING 51106       | 1    | 132 | SCREW                   | 1    | F17 | FACE PLATE        | 1    |
| 62 | BEARING COVER       | 1    | 135 | CRESCENT SRAT           | 1    | F18 | KNOB(OPTIONAL)    | 1    |
| 63 | WISE HANDLEWHEEL    | 1    | 136 | SPRING                  | 1    | F19 | INVERTER          | 1    |
| 64 | SPRING              | 2    | 137 | SHAFT                   | 1    | F20 | HAND/AUTO SWITCH  | 1    |
| 67 | REVOLVING ARM       | 1    | 139 | STAND                   | 1    | F21 | SWITCH            | 1    |

# EXPLODED: F MAGNETIC SWITCH



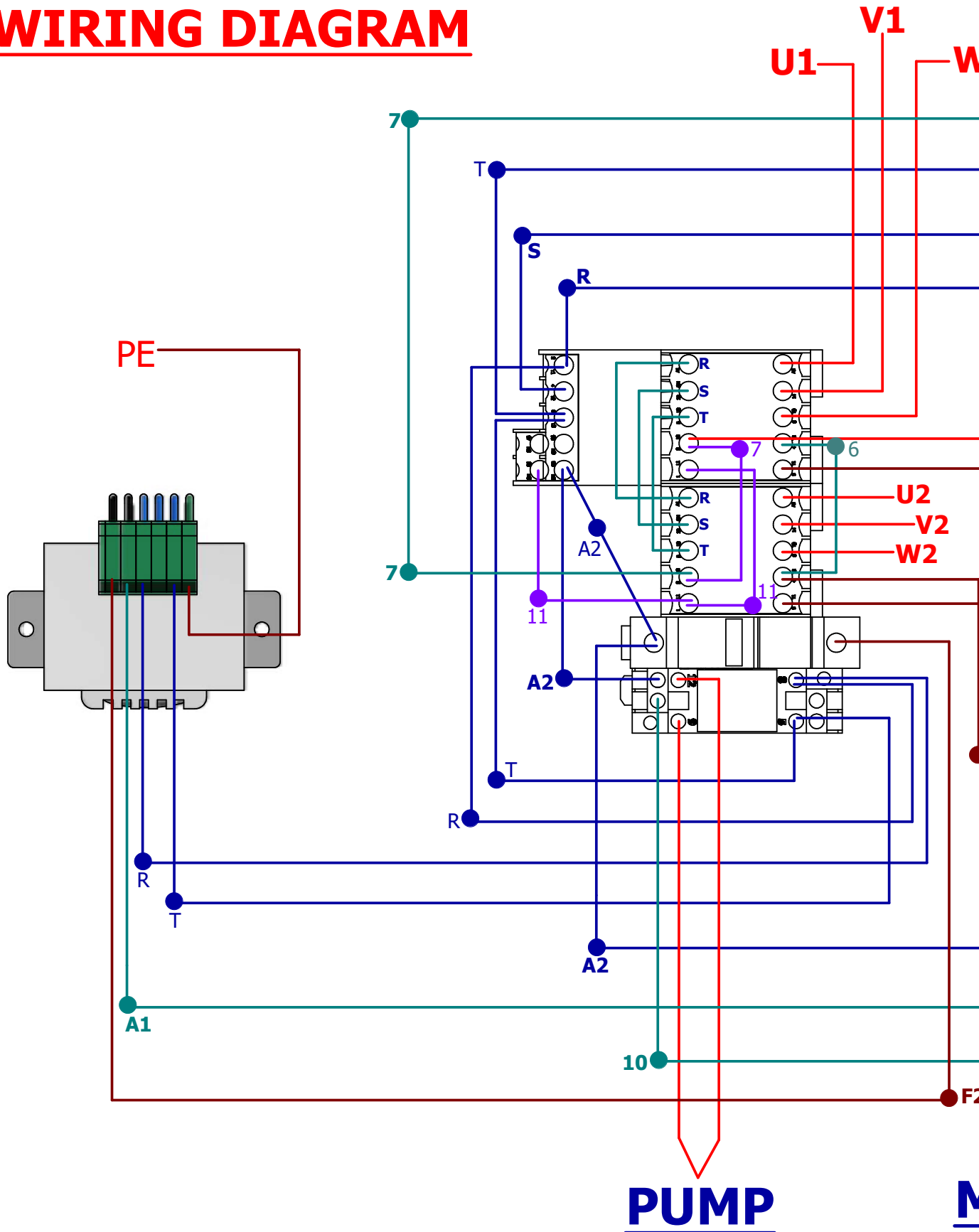
# EXPLODED: F

## INVERTER (OPTIONAL)



# EBS2750 MAGNETIC SWITCH

## WIRING DIAGRAM









# (ONAL) DIAGRAM

